

### Sprocket availability

Type	Number of teeth	Diam. of pitch $\varnothing d_p$		$A_1$		Hub width $B_L$		Square bore Q		Standard material
		mm	inch	mm	inch	mm	inch	mm	inch	
S	6	127.0	5.0	54.0	2.13	40	1.57	40	1.5	POM
S	8	165.9	6.5	73.5	2.90	40	1.57	40	1.5	POM
S	10	205.5	8.1	93.5	3.67	40	1.57	40 / 60	1.5	POM
S	13	265.3	10.5	123.5	4.85	40	1.57	60	2.5	POM

S: molded sprockets. Other sprocket and hub sizes on request.

**Key ways** for round bore shape follow European standards for metric sizes and US standards for imperial sizes. For detailed dimensions see table in the Engineering Guide chapter Design Guide.

**Other materials** available on request.

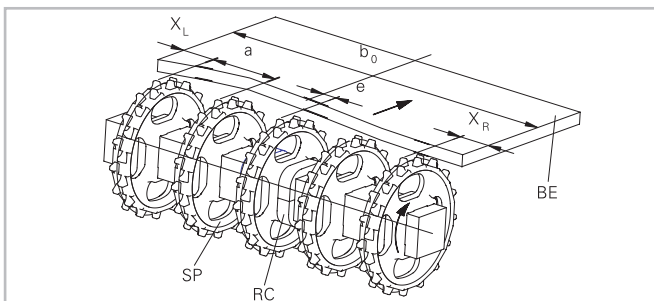


Sprocket one-piece ("open window")

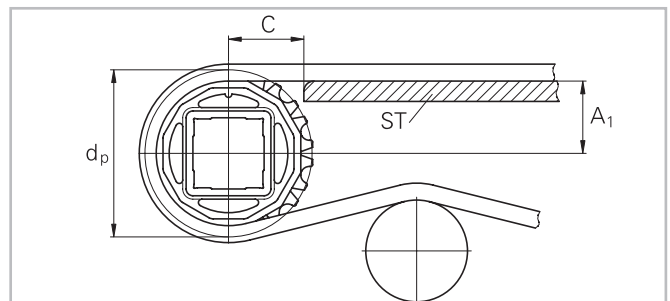


Sprocket one-piece (solid)

### Sprocket arrangement



**BE** Belt  
**RC** Retainer  
**SP** Sprocket  
**b<sub>0</sub>** belt width



The distance **C** between the sprocket axis and the slider support **ST** is minimal 66 mm (2.6").

### Wearstrips

Between driving shaft and idling sprockets or rollers the belt is carried by a slider support furnished with longitudinal wear strips from UHMW Polyethylene or other suitable material.

### Sprocket positioning

For correct positioning of the center sprocket divide the belt width by the link increment. The rounded result will be an even or an odd number. These numbers are the criteria for offset or no offset, see table.

Belt type	Sprocket spacing a		Sprocket edge distance (minimal)		Criteria for center sprocket position	Result of formula (rounded)	Offset e	Remarks
	minimal mm inch	maximal mm inch	X <sub>L</sub> mm inch	X <sub>R</sub> mm inch				
M6360	50.8	152.4	38	38	b <sub>0</sub> / 25.4 b <sub>0</sub> / 1	even number (2, 4, 6 ...)	12.7 0.5	right or left side
	2	6	1.5	1.5		odd number (3, 5, 7 ...)	0 0	no offset

### Numbers of sprockets and wearstrips

Standard belt width (nominal)		Number of sprockets per shaft		Number of wearstrips	
mm	inch	min. number	Carryway (top)	Returnway (bottom)	
102	4	1	2	2	
203	8	2	2	2	
305	12	2	3	2	
406	16	3	3	3	
508	20	3	3	3	
610	24	3	4	3	
711	28	5	4	3	
813	32	5	5	3	
914	36	5	5	4	
1'016	40	7	6	4	
1'118	44	7	6	4	
1'219	48	7	7	5	
1'321	52	9	7	5	
1'422	56	9	7	5	
1'524	60	9	8	5	
1'626	64	11	8	6	
1'727	68	11	8	6	
1'829	72	11	9	6	
1'930	76	13	9	6	
2'032	80	13	9	7	
2'134	84	13	10	7	
2'235	88	15	10	7	
2'337	92	15	10	7	
2'438	96	15	11	8	
2'540	100	17	11	8	

The number of sprockets depends on the belt load and may be different for driving and idling shafts. For calculation of correct sprocket number please use LINK-SeleCalc.

# HabasiLINK®

## Sprocket series M6300



### **Disclaimer**

#### **Product Application Disclaimer (valid for ALL Habasi products and mentioned on all PDS)**

This disclaimer is made by and on behalf of Habasi and its affiliated companies, directors, employees, agents and contractors (hereinafter collectively "HABASIT") with respect to the products referred to herein (the "Products"). SAFETY WARNINGS SHOULD BE READ CAREFULLY AND ANY RECOMMENDED SAFETY PRECAUTIONS BE FOLLOWED STRICTLY! Please refer to the Safety Warnings herein, in the Habasi catalogue as well as installation and operating manuals. All indications / information as to the application, use and performance of the Products are recommendations provided with due diligence and care, but no representations or warranties of any kind are made as to their completeness, accuracy or suitability for a particular purpose. The data provided herein are based on laboratory application with small-scale test equipment, running at standard conditions, and do not necessarily match product performance in industrial use. New knowledge and experience may lead to re-assessments and modifications within a short period of time and without prior notice.

EXCEPT AS EXPLICITLY WARRANTED BY HABASIT, WHICH WARRANTIES ARE EXCLUSIVE AND IN LIEU OF ALL OTHER WARRANTIES, EXPRESS OR IMPLIED, THE PRODUCTS ARE PROVIDED "AS IS". HABASIT DISCLAIMS ALL OTHER WARRANTIES, EITHER EXPRESS OR IMPLIED, INCLUDING, BUT NOT LIMITED TO, IMPLIED WARRANTIES OF MERCHANTABILITY, FITNESS FOR A PARTICULAR PURPOSE, NON-INFRINGEMENT, OR ARISING FROM A COURSE OF DEALING, USAGE, OR TRADE PRACTICE, ALL OF WHICH ARE HEREBY EXCLUDED TO THE EXTENT ALLOWED BY APPLICABLE LAW. BECAUSE CONDITIONS OF USE IN INDUSTRIAL APPLICATION ARE OUTSIDE OF HABASIT'S CONTROL, HABASIT DOES NOT ASSUME ANY LIABILITY CONCERNING THE SUITABILITY AND PROCESS ABILITY OF THE PRODUCTS, INCLUDING INDICATIONS ON PROCESS RESULTS AND OUTPUT.