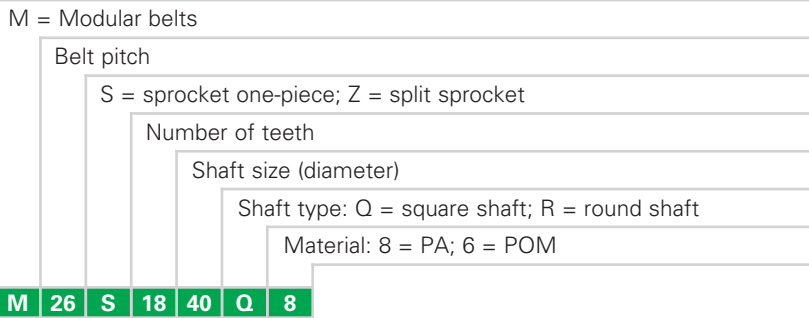


HabasitLINK®

Sprocket series M2600



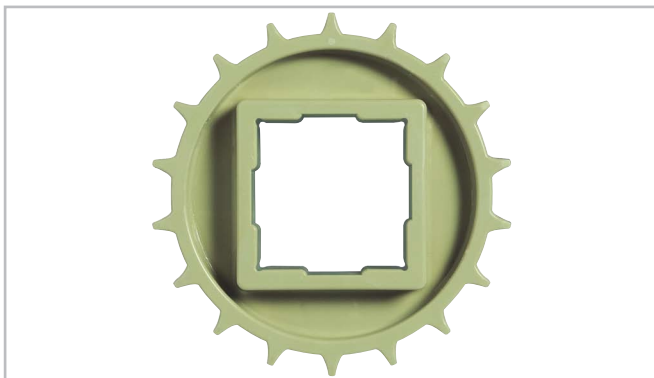
Sprocket availability

Type	Number of teeth	Diam. of pitch $\varnothing d_p$		A_1		Hub width B_L		Square bore Q		Ø Round bore R		Standard material
		mm	inch	mm	inch	mm	inch	mm	inch	mm	inch	
S	18	147.7	5.8	67.5	2.66	40	1.57	60	-	-	-	PA
S-C1	12	99.1	3.9	43.2	1.70	28.5	1.12	40	1.5	30 / 40	1 / 1.5	PA
S-C1	16	131.5	5.2	59.4	2.34	28.5	1.12	40	1.5	30 / 40	1 / 1.5	PA
S-C1	18	147.7	5.8	67.5	2.66	28.5	1.12	40	1.5	30 / 40	1.5	PA
S-C1	21	172.1	6.8	79.7	3.14	28.5	1.12	40 / 60	1.5 / 2.5	30 / 40	1 / 1.5	PA
Z	18	147.7	5.8	67.5	2.66	50	1.97	40	1.5	-	-	PA
Z-C1	12	99.1	3.9	43.2	1.70	28.5	1.12	25	1	25	1	PA
Z-C1	16	131.5	5.2	59.4	2.34	28.5	1.12	40	1.5	30 / 40	1 / 1.5	PA
Z-C1	18	147.7	5.8	67.5	2.66	28.5	1.12	60	2.5	30 / 40	1 / 1.5	PA
Z-C1	21	172.1	6.8	79.7	3.14	28.5	1.12	40 / 60	1.5 / 2.5	30 / 40	1 / 1.5	PA
Z-H	12	99.1	3.9	43.2	1.70	51	2.00	40	1.5	-	1 / 1 ³ / ₁₆	PA+GS
Z-H	16	131.5	5.2	59.4	2.34	51	2.00	40 / 60	1.5 / 2.5	40 / 50	1 / 1 ⁷ / ₁₆	PA+GS
Z-H	18	147.7	5.8	67.5	2.66	51	2.00	40 / 60	1.5 / 2.5	40 / 50	1 / 1 ⁷ / ₁₆	PA+GS
Z-H	21	172.1	6.8	79.7	3.14	51	2.00	40 / 60	2.5 / 1.5	40 / 50	1 / 1 ⁷ / ₁₆	PA+GS

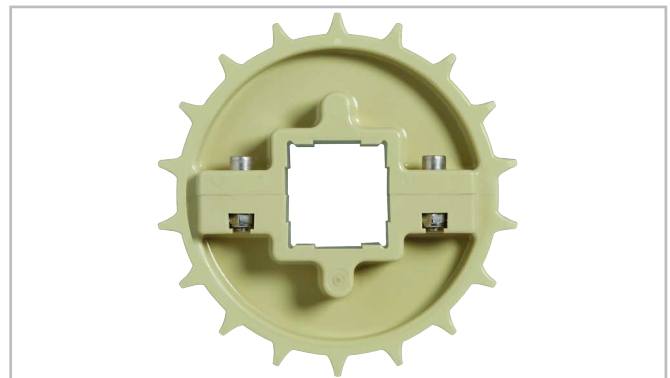
S, Z: molded sprockets; S-C1, Z-C1: machined sprockets; Z-H: Multi-Hub sprockets. Other sprocket and hub sizes on request.

Key ways for round bore shape follow European standards for metric sizes and US standards for imperial sizes. For detailed dimensions see table in the Engineering Guide chapter Design Guide.

Other materials and **Multi-Hub sprockets** (split sprockets with interchangeable hubs) are available on request.

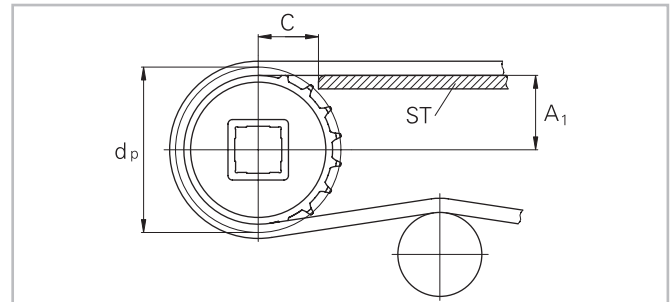
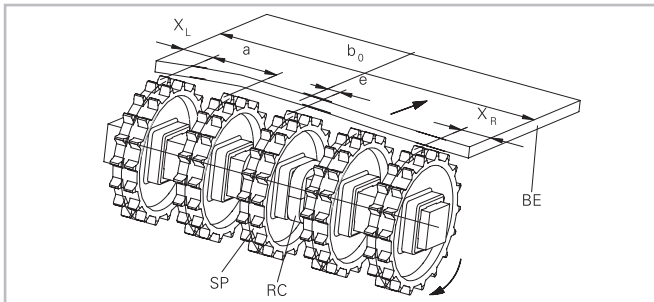


Sprocket one-piece (solid)



Split sprocket

Sprocket arrangement



BE Belt
RC Retainer
SP Sprocket
b₀ belt width

The distance **C** between the sprocket axis and the slider support **ST** is minimal 28 mm (1.1").

Wearstrips

Between driving shaft and idling sprockets or rollers the belt is carried by a slider support furnished with longitudinal wear strips (SL) from UHMW Polyethylene or other suitable material.

Sprocket positioning

For correct positioning of the center sprocket divide the belt width by the link increment. The rounded result will be an even or an odd number. These numbers are the criteria for offset or no offset, see table.

Belt type	Sprocket spacing a		Sprocket edge distance (minimal)		Criteria for center sprocket position	Result of formula (rounded)	Offset e	Remarks
	minimal	maximal	X _L	X _R				
	mm inch	mm inch	mm inch	mm inch				
M2620	85 3.35	170 6.7	42.5 1.67	42.5 1.67	b ₀ / 17 b ₀ / 0.67	even number (2, 4, 6 ...)	8.5 0.33	right or left side
						odd number (3, 5, 7 ...)	0 0	no offset
M2670	76.2 3.0	152.4 6.0	40.0 1.57	40.0 1.57	b ₀ /25.4 b ₀ /1.0	even number (2, 4, 6 ...)	12.7 0.5	right or left side
						odd number (3, 5, 7 ...)	0 0	no offset
M2670K03	n.a.	n.a.	41.5 1.63	41.5 1.63	n.a.	n.a.	n.a.	fixed number of sprockets in dedicated position
						n.a.	n.a.	fixed number of sprockets in dedicated position
M2670K04	n.a.	n.a.	57 2.24	57 2.24	n.a.	n.a.	n.a.	fixed number of sprockets in dedicated position
						n.a.	n.a.	fixed number of sprockets in dedicated position
M2670K06	n.a.	n.a.	25.1 0.99	25.1 0.99	n.a.	n.a.	n.a.	fixed number of sprockets in dedicated position
						n.a.	n.a.	fixed number of sprockets in dedicated position
M2670K07	n.a.	n.a.	27.2 1.07	27.2 1.07	n.a.	n.a.	n.a.	fixed number of sprockets in dedicated position
						n.a.	n.a.	fixed number of sprockets in dedicated position

Numbers of sprockets and wearstrips for M2620

Standard belt width (nominal)		Number of sprockets per shaft	Number of wearstrips	
mm	inch	min. number	Carryway (top)	Returnway (bottom)
85	3.3	1*	2	2
170	6.7	2	2	2
255	10.0	2	2	2
340	13.4	2	2	2
425	16.7	3	3	3
510	20.1	3	3	3
595	23.4	4	4	3
680	26.8	4	4	3
765	30.1	5	5	4
850	33.5	5	5	4
935	36.8	6	6	4
1'105	43.5	7	7	5
1'190	46.9	7	7	5
1'275	50.2	8	8	5
1'360	53.5	8	8	5
1'445	56.9	9	9	6
1'530	60.2	9	9	6
1'615	63.6	10	10	6
1'700	66.9	10	10	6
1'785	70.3	11	11	7
1'870	73.6	11	11	7
1'955	77.0	12	12	7
2'040	80.3	12	12	7

The number of sprockets depends on the belt load and may be different for driving and idling shafts. For calculation of correct sprocket number please use LINK-SeleCalc.

(*) Note: 2 sprockets are possible when using machined sprockets (width 28.5 mm)

Numbers of sprockets and wearstrips for M2670

Standard belt width (nominal)		Number of sprockets per shaft		Number of wearstrips	
mm	inch	min. number		Carryway (top)	Returnway (bottom)
152	6	2		2	2
203	8	2		2	2
254	10	2		2	2
305	12	2		2	2
356	14	3		3	3
406	16	3		3	3
457	18	3		3	3
508	20	5		4	3
559	22	5		4	3
610	24	5		4	3
660	26	5		4	3
711	28	5		5	4
762	30	5		5	4
813	32	5		5	4
864	34	5		5	4
914	36	7		6	4
1'067	42	7		7	5
1'219	48	9		8	5
1'372	54	9		8	5
1'524	60	9		9	6
1'829	72	11		11	6
2'134	84	13		13	6

The number of sprockets depends on the belt load and may be different for driving and idling shafts. For calculation of correct sprocket number please use LINK-SeleCalc.

Numbers of sprockets and wearstrips for M2670 MTW (M2670Kxx)

Standard belt width (nominal)		Number of sprockets per shaft		Number of wearstrips	
mm	inch	Drive shaft (loaded shaft)	Idling shaft (unloaded shaft)	Carryway (top)	Returnway (bottom)
82.6	3.25	1	1	2	2
114.3	4.5	1	1	2	2
152.4	6.0	3	2	2	2
190.5	7.5	3	2	2	2

The number of sprockets depends on the belt load and may be different for driving and idling shafts. For calculation of correct sprocket number please use LINK-SeleCalc.

Numbers of sprockets and wearstrips for M2670 ActivXchange 1"

Standard belt width (nominal)		Number of sprockets per shaft		Number of wearstrips	
mm	inch	Drive shaft (loaded shaft)	Idling shaft (unloaded shaft)	Carryway (top)	Returnway (bottom)
152.2	6.0	2	1	2	2

The number of sprockets depends on the belt load and may be different for driving and idling shafts. For calculation of correct sprocket number please use LINK-SeleCalc.

HabasiLINK®

Sprocket series M2600



Disclaimer

Product Application Disclaimer (valid for ALL Habasi products and mentioned on all PDS)

This disclaimer is made by and on behalf of Habasi and its affiliated companies, directors, employees, agents and contractors (hereinafter collectively "HABASIT") with respect to the products referred to herein (the "Products"). SAFETY WARNINGS SHOULD BE READ CAREFULLY AND ANY RECOMMENDED SAFETY PRECAUTIONS BE FOLLOWED STRICTLY! Please refer to the Safety Warnings herein, in the Habasi catalogue as well as installation and operating manuals. All indications / information as to the application, use and performance of the Products are recommendations provided with due diligence and care, but no representations or warranties of any kind are made as to their completeness, accuracy or suitability for a particular purpose. The data provided herein are based on laboratory application with small-scale test equipment, running at standard conditions, and do not necessarily match product performance in industrial use. New knowledge and experience may lead to re-assessments and modifications within a short period of time and without prior notice.

EXCEPT AS EXPLICITLY WARRANTED BY HABASIT, WHICH WARRANTIES ARE EXCLUSIVE AND IN LIEU OF ALL OTHER WARRANTIES, EXPRESS OR IMPLIED, THE PRODUCTS ARE PROVIDED "AS IS". HABASIT DISCLAIMS ALL OTHER WARRANTIES, EITHER EXPRESS OR IMPLIED, INCLUDING, BUT NOT LIMITED TO, IMPLIED WARRANTIES OF MERCHANTABILITY, FITNESS FOR A PARTICULAR PURPOSE, NON-INFRINGEMENT, OR ARISING FROM A COURSE OF DEALING, USAGE, OR TRADE PRACTICE, ALL OF WHICH ARE HEREBY EXCLUDED TO THE EXTENT ALLOWED BY APPLICABLE LAW. BECAUSE CONDITIONS OF USE IN INDUSTRIAL APPLICATION ARE OUTSIDE OF HABASIT'S CONTROL, HABASIT DOES NOT ASSUME ANY LIABILITY CONCERNING THE SUITABILITY AND PROCESS ABILITY OF THE PRODUCTS, INCLUDING INDICATIONS ON PROCESS RESULTS AND OUTPUT.