

# HabasitLINK®

## Sprocket series M1200



M = Modular belts

Belt pitch

S = sprocket one-piece; Z = split sprocket

Number of teeth

Shaft size

Shaft type: Q = square shaft; R = round shaft

Material: 6 = POM; 8 = PA

**M 12 S 24 25 Q 6**

### Sprocket availability

Type	Number of teeth	Diam. of pitch $\varnothing d_p$ , $A_1$				Hub width $B_L$		Square bore Q		Ø Round bore R		Standard material
		mm	inch	mm	inch	mm	inch	mm	inch	mm	inch	
S	10	41.2	1.6	16.1	0.63	30	1.18	-	-	20	$\frac{3}{4}$	POM
S	15	62.4	2.5	26.7	1.05	30	1.18	25	1	25	1	POM
S	19	78.8	3.1	34.4	1.35	30	1.18	-	1.5	-	1	POM
S	24	99.2	3.9	45.1	1.78	30	1.18	25 / 40	1.5	25	1	POM
S	28	116.5	4.6	53.8	2.12	30	1.18	40	1.5	25	-	POM
S	36	149.8	5.9	70.4	2.77	30	1.18	40 / 60	1.5 / 2.5	-	-	POM
Z	24	99.2	3.9	45.1	1.78	40	1.57	40	-	-	-	POM
Z-H	28	116.5	4.6	53.8	2.12	51	2.00	40	1.5	-	$\frac{1\frac{3}{16}}$	PA+GS
Z-H	36	149.8	5.9	70.4	2.77	51	2.00	40 / 60	1.5 / 2.5	50	$\frac{1}{1\frac{7}{16}}$	PA+GS

S, Z: molded sprockets; Z-H: Multi-Hub sprockets. Other sprocket and hub sizes on request.

**Key ways** for round bore shape follow European standards for metric sizes and US standards for imperial sizes. For detailed dimensions see table in the Engineering Guide chapter Design Guide.

**Other materials** available on request.

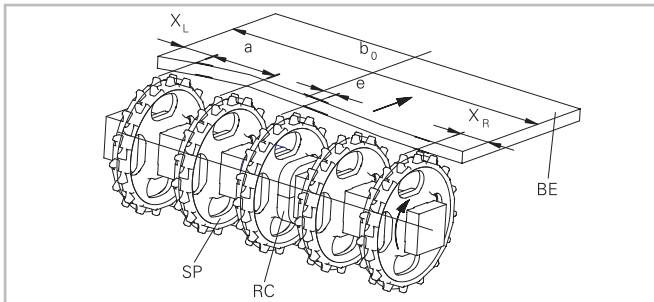


Sprocket one-piece ("open window")

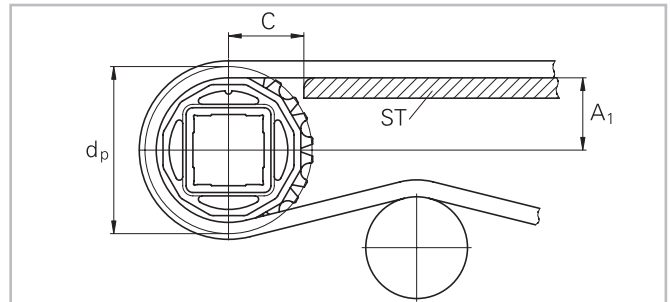


Split sprocket

### Sprocket arrangement



**BE** Belt  
**RC** Retainer  
**SP** Sprocket  
**b<sub>0</sub>** belt width



The distance **C** between the sprocket axis and the slider support **ST** is minimal 14 mm (0.55").

### Wearstrips

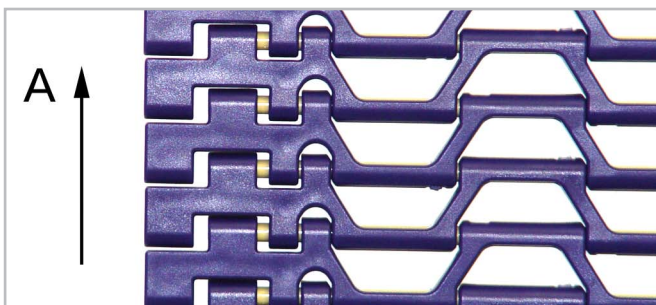
Between driving shaft and idling sprockets or rollers the belt is carried by a slider support furnished with longitudinal wearstrips (ST) from UHMW Polyethylene or other suitable material.

### Sprocket positioning

For correct positioning of the center sprocket divide the belt width by the link increment. The rounded result will be an even or an odd number. These numbers are the criteria for offset or no offset, see table.

Belt type	Sprocket spacing a		Sprocket edge distance (minimal)		Criteria for center sprocket position	Result of formula (rounded)	Offset e	Remarks
	minimal mm inch	maximal mm inch	X <sub>L</sub> mm inch	X <sub>R</sub> mm inch				
M1185*	50.8 2	101.6 4	50.8 2	50.8 2	n.a.	n.a.	0 0	Offset to which side in running direction A only
M1200	50 2	100 4	25 1	25 1	n.a.	n.a.	0 0	no offset for all belt widths

\* For POM and PA belts a maximal admissible load 70% is recommended.



M1200 sprocket series are applicable with M1185 only in running direction (A).

**Numbers of sprockets and wearstrips for series M1200**

Standard belt width (nominal)		Number of sprockets per shaft min. number	Number of wearstrips	
mm	inch		Carryway (top)	Returnway (bottom)
150	6	2	2	2
200	8	2	2	2
250	10	3	3	2
300	12	3	3	2
350	14	3	4	3
400	16	3	4	3
450	18	5	5	3
500	20	5	5	3
550	22	5	6	4
600	24	5	6	4
700	28	7	7	4
800	32	7	7	4
900	36	9	8	5
1000	40	9	8	5
1100	43	11	9	5
1200	47	11	9	5
1300	51	13	10	6
1400	55	13	10	6
1600	63	15	11	6
1800	71	17	12	7
2000	79	19	13	7

The number of sprockets depends on the belt load and may be different for driving and idling shafts. For calculation of correct sprocket number please use LINK-SeleCalc.

**Numbers of sprockets and wearstrips for M1185**

Standard belt width (nominal)		Number of sprockets per shaft		Number of wearstrips	
mm	inch	min. number		Carryway (top)	Returnway (bottom)
203	8	2		3	2
254	10	2		3	2
305	12	2		3	2
356	14	3		4	3
406	16	3		4	3
457	18	3		4	3
508	20	5		5	3
559	22	5		5	3
610	24	5		5	3
660	26	5		6	4
711	28	7		6	4
762	30	7		6	4
813	32	7		7	4
864	34	9		7	4
914	36	9		7	4
965	38	9		8	5
1'016	40	9		8	5
1'067	42	11		8	5
1'118	44	11		9	5
1'168	46	11		9	5
1'219	48	11		9	5
1'270	50	13		10	6
1'321	52	13		10	6
1'372	54	13		10	6
1'422	56	15		11	6
1'473	58	15		11	6
1'524	60	15		11	6
1'575	62	15		12	7
1'626	64	17		12	7

The number of sprockets depends on the belt load and may be different for driving and idling shafts. For calculation of correct sprocket number please use LINK-SeleCalc.

**Numbers of sprockets and wearstrips for M1220 ActivXchange 0.5"**

Standard belt width (nominal)		Number of sprockets per shaft		Number of wearstrips	
mm	inch	Drive shaft (loaded shaft)	Idling shaft (unloaded shaft)	Carryway (top)	Returnway (bottom)
109.8	4.3	1	1	2	2

**Numbers of sprockets and wearstrips for M1280 ActivXchange 0.5"**

Standard belt width (nominal)		Number of sprockets per shaft		Number of wearstrips	
mm	inch	Drive shaft (loaded shaft)	Idling shaft (unloaded shaft)	Carryway (top)	Returnway (bottom)
152.2	6.0	2	1	2	2

The number of sprockets depends on the belt load and may be different for driving and idling shafts. For calculation of correct sprocket number please use LINK-SeleCalc.

# HabasiLINK®

## Sprocket series M1200



### **Disclaimer**

#### **Product Application Disclaimer (valid for ALL Habasi products and mentioned on all PDS)**

This disclaimer is made by and on behalf of Habasi and its affiliated companies, directors, employees, agents and contractors (hereinafter collectively "HABASIT") with respect to the products referred to herein (the "Products"). SAFETY WARNINGS SHOULD BE READ CAREFULLY AND ANY RECOMMENDED SAFETY PRECAUTIONS BE FOLLOWED STRICTLY! Please refer to the Safety Warnings herein, in the Habasi catalogue as well as installation and operating manuals. All indications / information as to the application, use and performance of the Products are recommendations provided with due diligence and care, but no representations or warranties of any kind are made as to their completeness, accuracy or suitability for a particular purpose. The data provided herein are based on laboratory application with small-scale test equipment, running at standard conditions, and do not necessarily match product performance in industrial use. New knowledge and experience may lead to re-assessments and modifications within a short period of time and without prior notice.

EXCEPT AS EXPLICITLY WARRANTED BY HABASIT, WHICH WARRANTIES ARE EXCLUSIVE AND IN LIEU OF ALL OTHER WARRANTIES, EXPRESS OR IMPLIED, THE PRODUCTS ARE PROVIDED "AS IS". HABASIT DISCLAIMS ALL OTHER WARRANTIES, EITHER EXPRESS OR IMPLIED, INCLUDING, BUT NOT LIMITED TO, IMPLIED WARRANTIES OF MERCHANTABILITY, FITNESS FOR A PARTICULAR PURPOSE, NON-INFRINGEMENT, OR ARISING FROM A COURSE OF DEALING, USAGE, OR TRADE PRACTICE, ALL OF WHICH ARE HEREBY EXCLUDED TO THE EXTENT ALLOWED BY APPLICABLE LAW. BECAUSE CONDITIONS OF USE IN INDUSTRIAL APPLICATION ARE OUTSIDE OF HABASIT'S CONTROL, HABASIT DOES NOT ASSUME ANY LIABILITY CONCERNING THE SUITABILITY AND PROCESS ABILITY OF THE PRODUCTS, INCLUDING INDICATIONS ON PROCESS RESULTS AND OUTPUT.