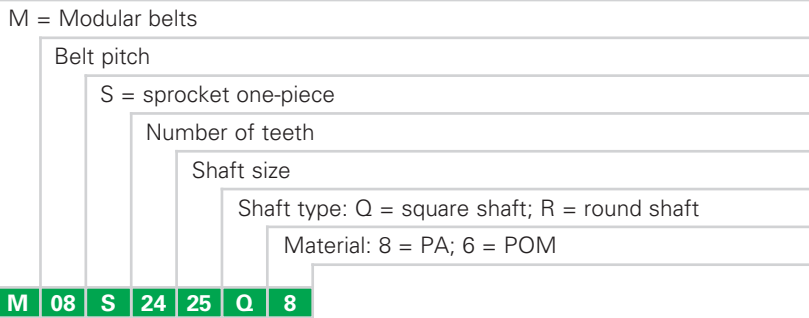


HabasitLINK®

Sprocket series M0800



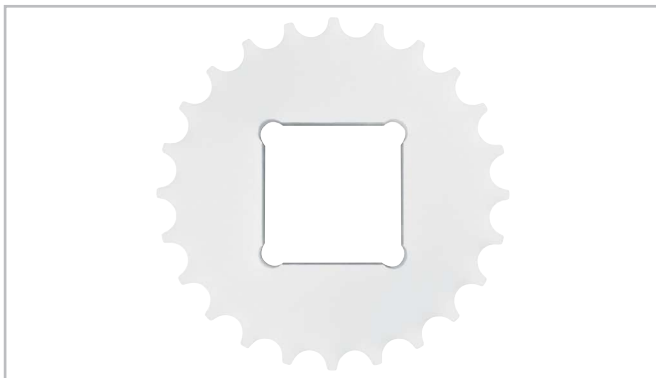
Sprocket availability

Type	Number of teeth	Diam. of pitch $\varnothing d_p$		A_1		Hub width B_L		Square bore Q		Round bore R		Standard material
		mm	inch	mm	inch	mm	inch	mm	inch	mm	inch	
S-C1	18	46.5	1.83	20.2	0.79	25	1	20	0.75	25	1	POM
S	24	61.8	2.43	27.9	1.10	25	1	25	1	-	-	POM
S	36	92.6	3.65	43.3	1.70	25	1	40	-	-	-	POM

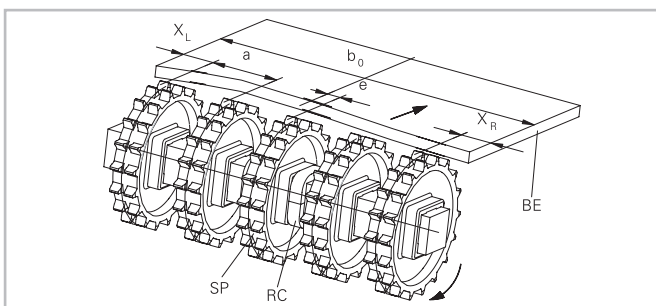
S: molded sprockets; S-C1: machined sprockets. Other sprocket and hub sizes on request.

Key ways for round bore shape follow European standards for metric sizes and US standards for imperial sizes. For detailed dimensions see table in the Engineering Guide chapter Design Guide.

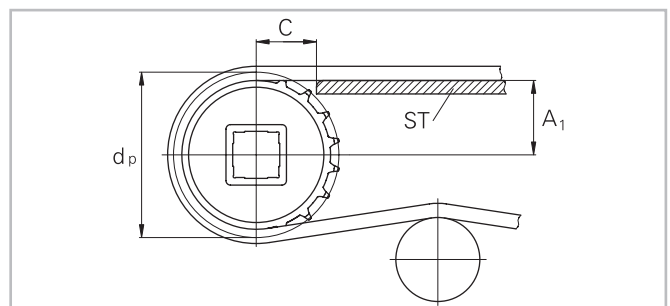
Other materials are available on request.



Sprocket arrangement



BE Belt
RC Retainer
SP Sprocket
b₀ belt width



The distance **C** between the sprocket axis and the slider support **ST** is minimal 28 mm (1.1").

Wearstrips

Between driving shaft and idling sprockets or rollers the belt is carried by a slider support furnished with longitudinal wear strips (SL) from UHMW Polyethylene or other suitable material.

Product Data Sheet (Released) 07.12.2013

Sprocket positioning

For correct positioning of the center sprocket divide the belt width by the link increment. The rounded result will be an even or an odd number. These numbers are the criteria for offset or no offset, see table.

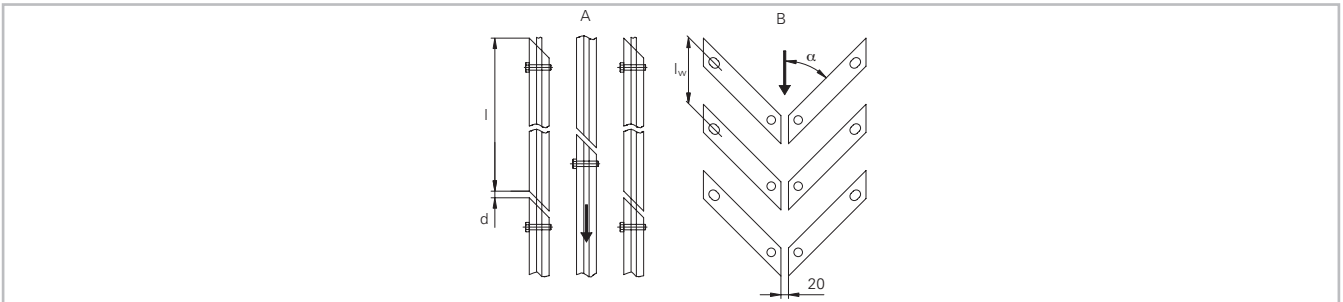
Belt type	Sprocket spacing a		Sprocket edge distance (minimal)		Criteria for center sprocket position	Result of formula (rounded)	Offset e	Remarks
	minimal mm inch	maximal mm inch	X _L mm inch	X _R mm inch				
M0870	76.2 3	152.4 6	25 1	25 1	b ₀ / 50.8 b ₀ / 2	even number (2, 4, 6 ...)	0	right or left side
						odd number (3, 5, 7 ...)	0	right or left side
M0870 MTW M0873	76.2 3	152.4 6	38 1.5	38 1.5	b ₀ / 50.8 b ₀ / 2	even number (2, 4, 6 ...)	12.7 0.5	right or left side
						odd number (3, 5, 7 ...)	12.7 0.5	right or left side



M0870



M0870 MTW / M0873



Numbers of sprockets and wearstrips (returnway - refer to option A in the sketch)

Standard belt width (nominal)		Number of sprockets per shaft	Number of wearstrips
mm	<i>inch</i>	min. number	Returnway (bottom) (refer to A in the sketch)
152	6	2	2
305	12	4	2
457	18	6	3
610	24	8	4
762	30	10	4
914	36	12	5
1067	42	14	6
1219	48	16	6
1372	54	18	8
1524	60	20	8
1676	66	22	10
1829	72	24	10
1981	78	26	12

Arrangement of wearstrips on the carryway (refer to option B in the sketch)

The distance l_w is equal or smaller 150 mm (depending on the load).

The number of sprockets depends on the belt load and may be different for driving and idling shafts. For calculation of correct sprocket number please use LINK-SeleCalc.

Disclaimer

Product Application Disclaimer (valid for ALL Habasi products and mentioned on all PDS)

This disclaimer is made by and on behalf of Habasi and its affiliated companies, directors, employees, agents and contractors (hereinafter collectively "HABASIT") with respect to the products referred to herein (the "Products"). SAFETY WARNINGS SHOULD BE READ CAREFULLY AND ANY RECOMMENDED SAFETY PRECAUTIONS BE FOLLOWED STRICTLY! Please refer to the Safety Warnings herein, in the Habasi catalogue as well as installation and operating manuals. All indications / information as to the application, use and performance of the Products are recommendations provided with due diligence and care, but no representations or warranties of any kind are made as to their completeness, accuracy or suitability for a particular purpose. The data provided herein are based on laboratory application with small-scale test equipment, running at standard conditions, and do not necessarily match product performance in industrial use. New knowledge and experience may lead to re-assessments and modifications within a short period of time and without prior notice.

EXCEPT AS EXPLICITLY WARRANTED BY HABASIT, WHICH WARRANTIES ARE EXCLUSIVE AND IN LIEU OF ALL OTHER WARRANTIES, EXPRESS OR IMPLIED, THE PRODUCTS ARE PROVIDED "AS IS". HABASIT DISCLAIMS ALL OTHER WARRANTIES, EITHER EXPRESS OR IMPLIED, INCLUDING, BUT NOT LIMITED TO, IMPLIED WARRANTIES OF MERCHANTABILITY, FITNESS FOR A PARTICULAR PURPOSE, NON-INFRINGEMENT, OR ARISING FROM A COURSE OF DEALING, USAGE, OR TRADE PRACTICE, ALL OF WHICH ARE HEREBY EXCLUDED TO THE EXTENT ALLOWED BY APPLICABLE LAW. BECAUSE CONDITIONS OF USE IN INDUSTRIAL APPLICATION ARE OUTSIDE OF HABASIT'S CONTROL, HABASIT DOES NOT ASSUME ANY LIABILITY CONCERNING THE SUITABILITY AND PROCESS ABILITY OF THE PRODUCTS, INCLUDING INDICATIONS ON PROCESS RESULTS AND OUTPUT.